



Technical Guide



244 Posterbox with lock

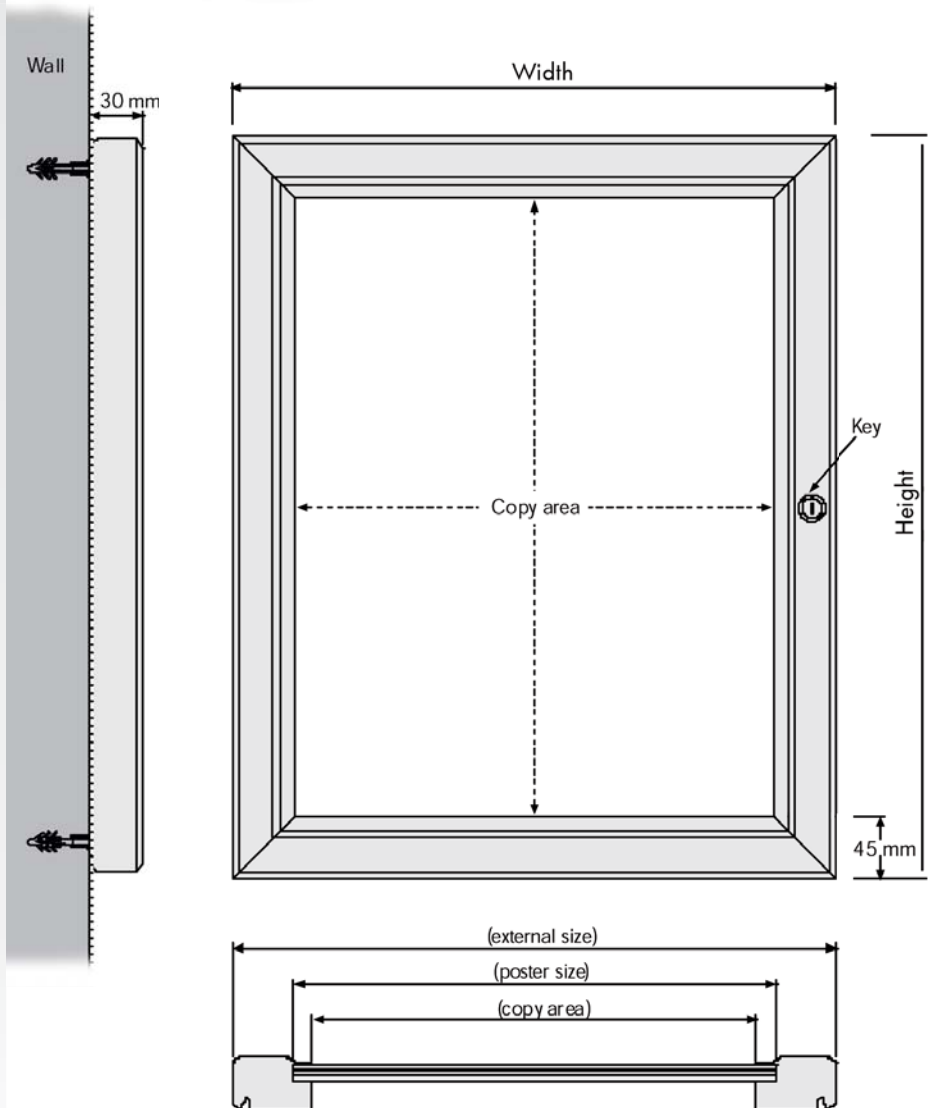
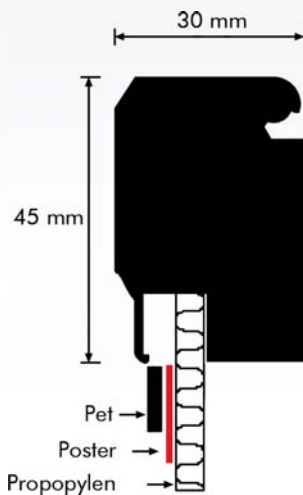
Single key in sizes:

A4, A3 and A2.

Double key in sizes:

A1, 50x70 cm, 70x100 cm.

The cover can be opened 90 degrees. Each unit includes mounting screws and dobels. Depth is 30 mm.



Art. No.	PosterSize	Color	Total W x H	Package Size	- Weight	Pallet Size	- Quantity	
6128	21*29,7 cm	A4	Alu/silver	28*37 cm	36*39*7 cm	3 kg	80*120*220 cm	216 pcs.
6129	29,7*42 cm	A3	Alu/silver	36,7*49 cm	38*51*7 cm	4 kg	80*120*220 cm	102 pcs.
6130	42*59,4 cm	A2	Alu/silver	49*66,4 cm	51*68*7 cm	5 kg	80*120*220 cm	60 pcs.
6131	50*70 cm	Alu/silver	57*77 cm	68*93*7 cm	6 kg	80*120*220 cm	44 pcs.	
6132	59,4*84,1 cm	A1	Alu/silver	66,4*91,1 cm	59*79*7 cm	7 kg	80*120*220 cm	38 pcs.
6133	70*100 cm	Alu/silver	77*107 cm	79*109*7 cm	8 kg	80*120*220 cm	25 pcs.	