



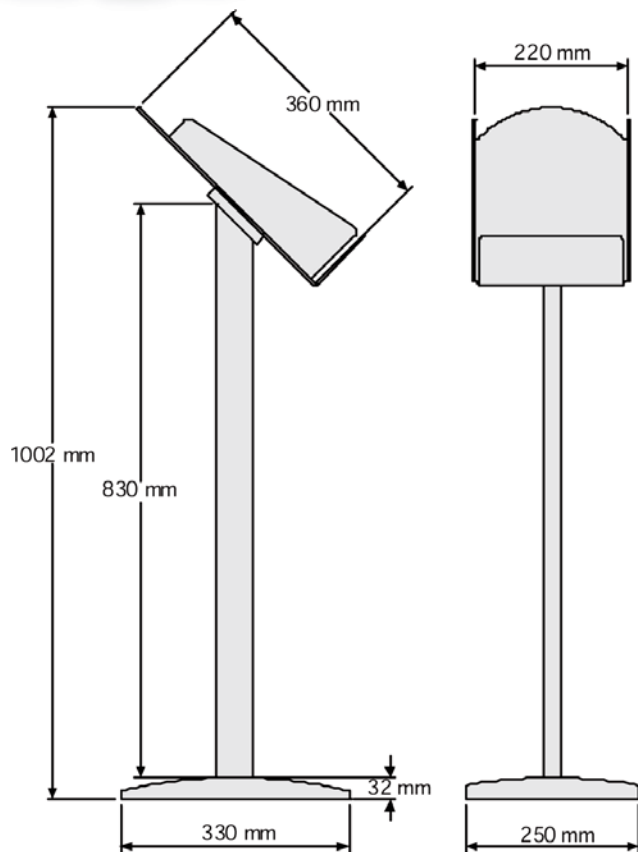
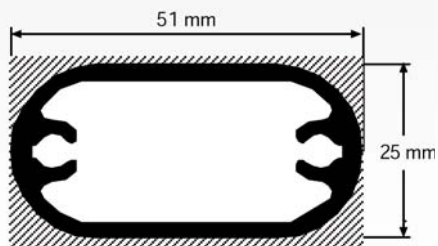
Technical Guide



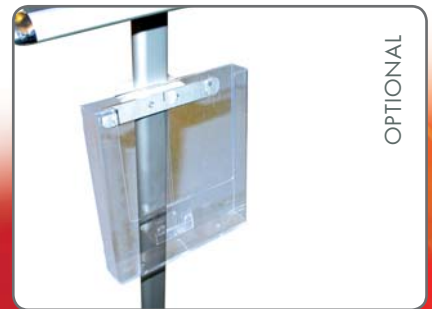
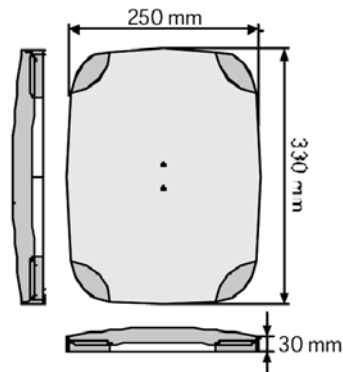
800 Expo Brochure Stand A4 Vertikal

Brochure stand for A4 brochures made with a heavy foot. The shelf is made of 3 mm strong polycarbonate to prevent it from braking if it falls. Can be delivered with extra brochure holder and fittings.

Profile



Decorative base powdercoated 9006
1,62 kg



OPTIONAL

Model	Art. No.	Poster size	Color	Total W x H	Package Size	- Weight	Pallet Size	- Quantity	
800	3302	21*29,7 cm	A4	Alu/Transparent	22*100,2 cm	28*88*14 cm	3,5 kg	80*120*220 cm	35 pcs.